

**HiFi ENGINE®**

For more Hi-Fi manuals and set-up information  
please visit [www.hifiengine.com](http://www.hifiengine.com)

# *Service Manual*

**SPEAKER SYSTEM**

**CS-R700**

# 3. CS-R700

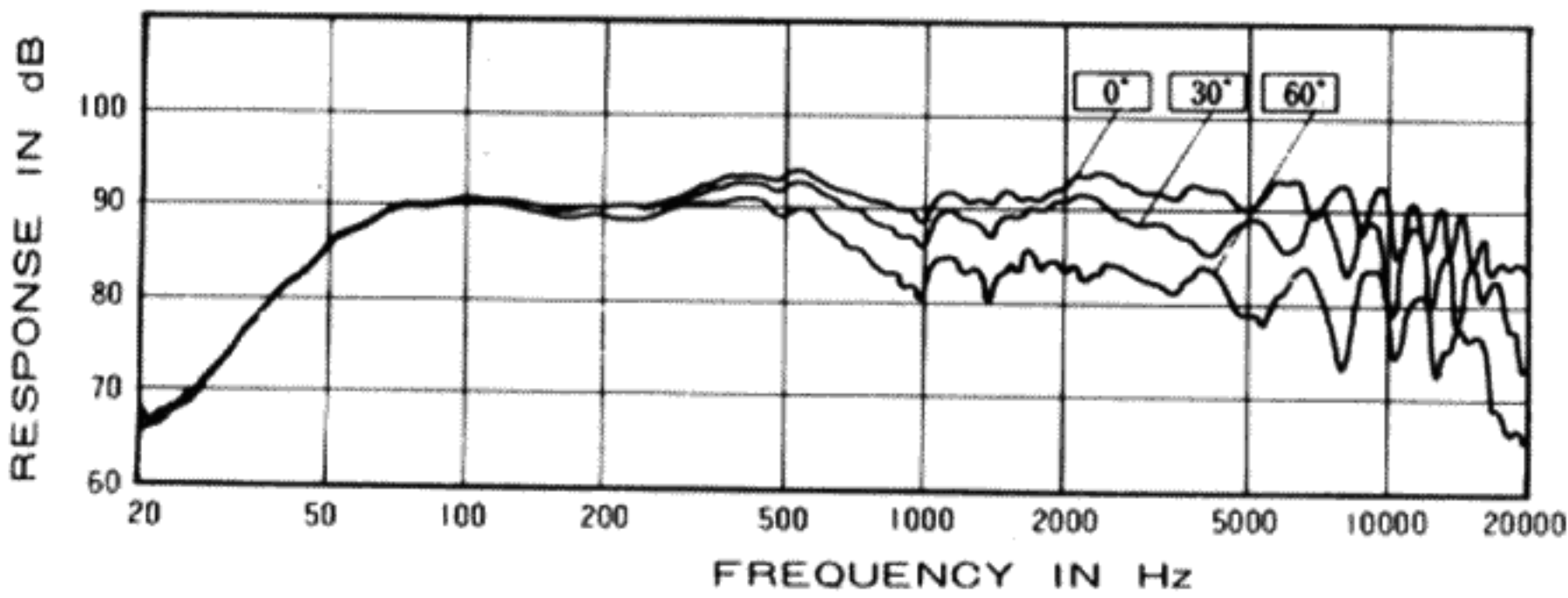
## 3.1 SPECIFICATIONS

Enclosure	Bass-reflex type	
System	3-way 3-speaker system	
Speakers;		
Woofer	30cm (12 in.) cone type	
Mid-high Range	Horn type	
Super-Tweeter	Multicellular horn type	
Frequency Range	35Hz to 20,000Hz	
Input Impedance	8Ω	
Sensitivity	91dB/W at 1 m distance	
Max. Input Power	75W	
Crossover Frequencies:	Lows – Mid-high ranges	700Hz
	Mid-high ranges – Super highs	14,000Hz
External Dimensions	380(W) x 660(H) x 346(D) mm	
	15(W) x 26(H) x 13-19/32(D) in.	
Weight	23kg (50lb 11oz)	

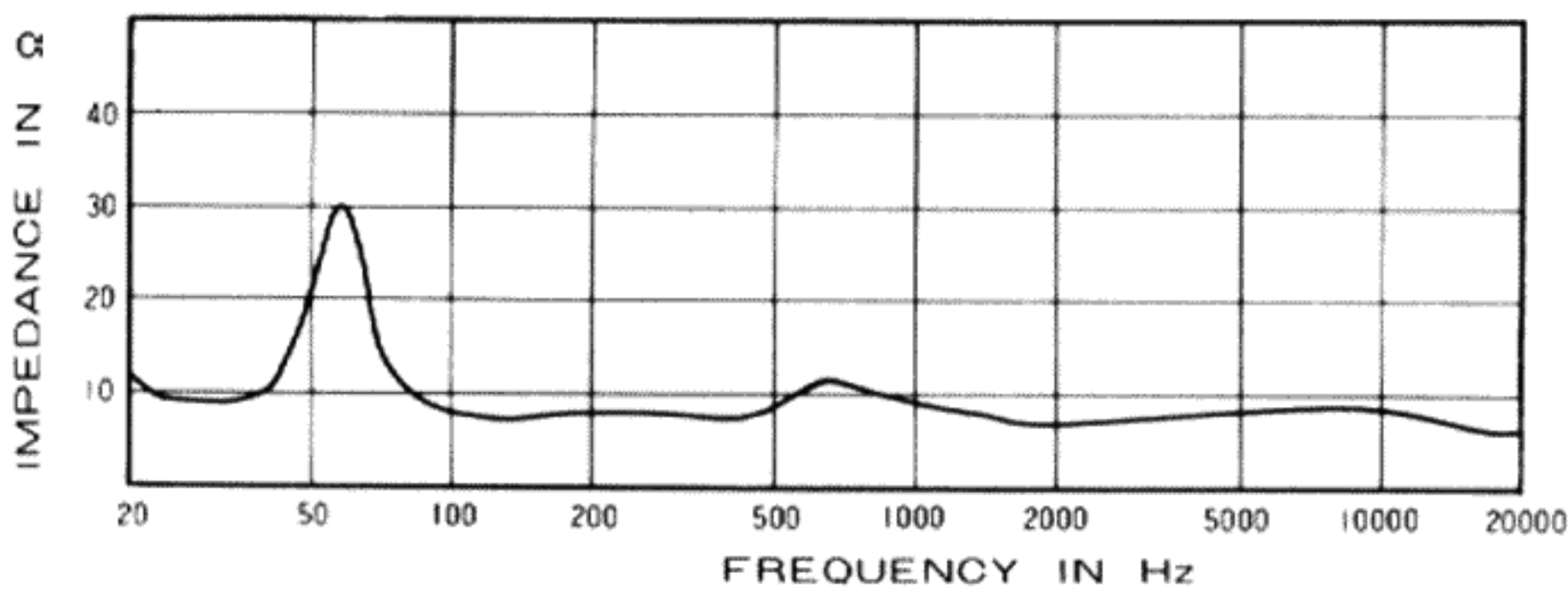


*NOTE: Specifications and the design subject to possible modification without notice due to improvements.*

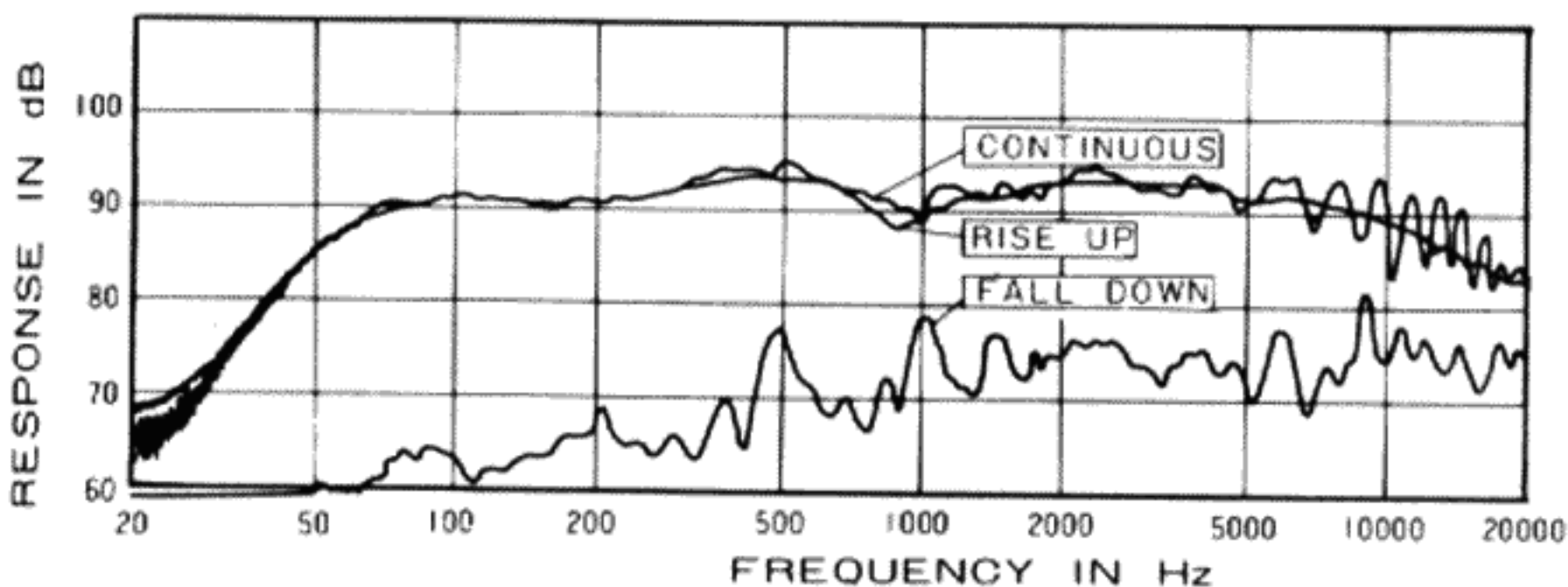
### DIRECTIONAL FREQUENCY RESPONSE



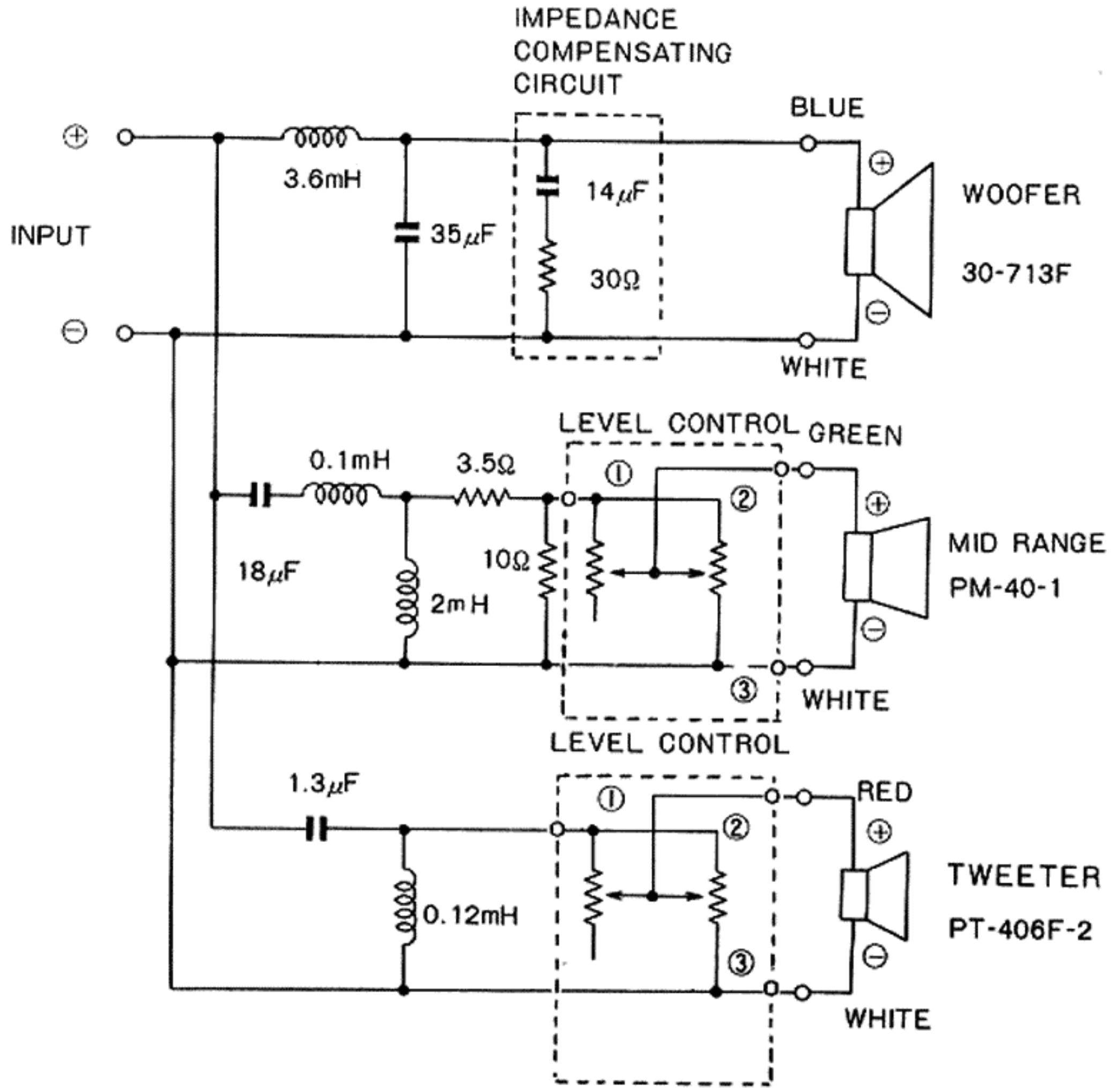
### CHARACTERISTIC OF IMPEDANCE



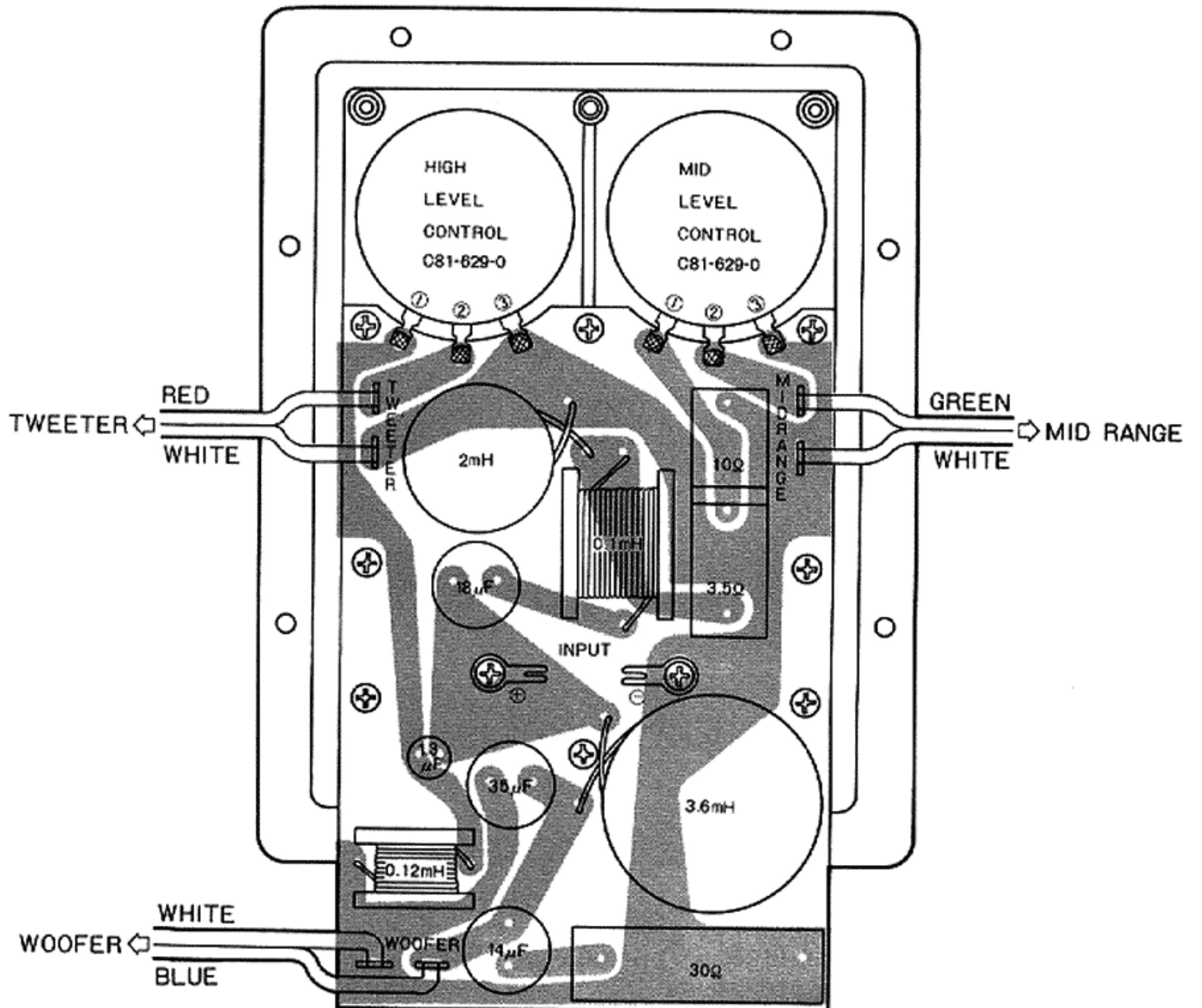
### CHARACTERISTICS OF TRANSIENT



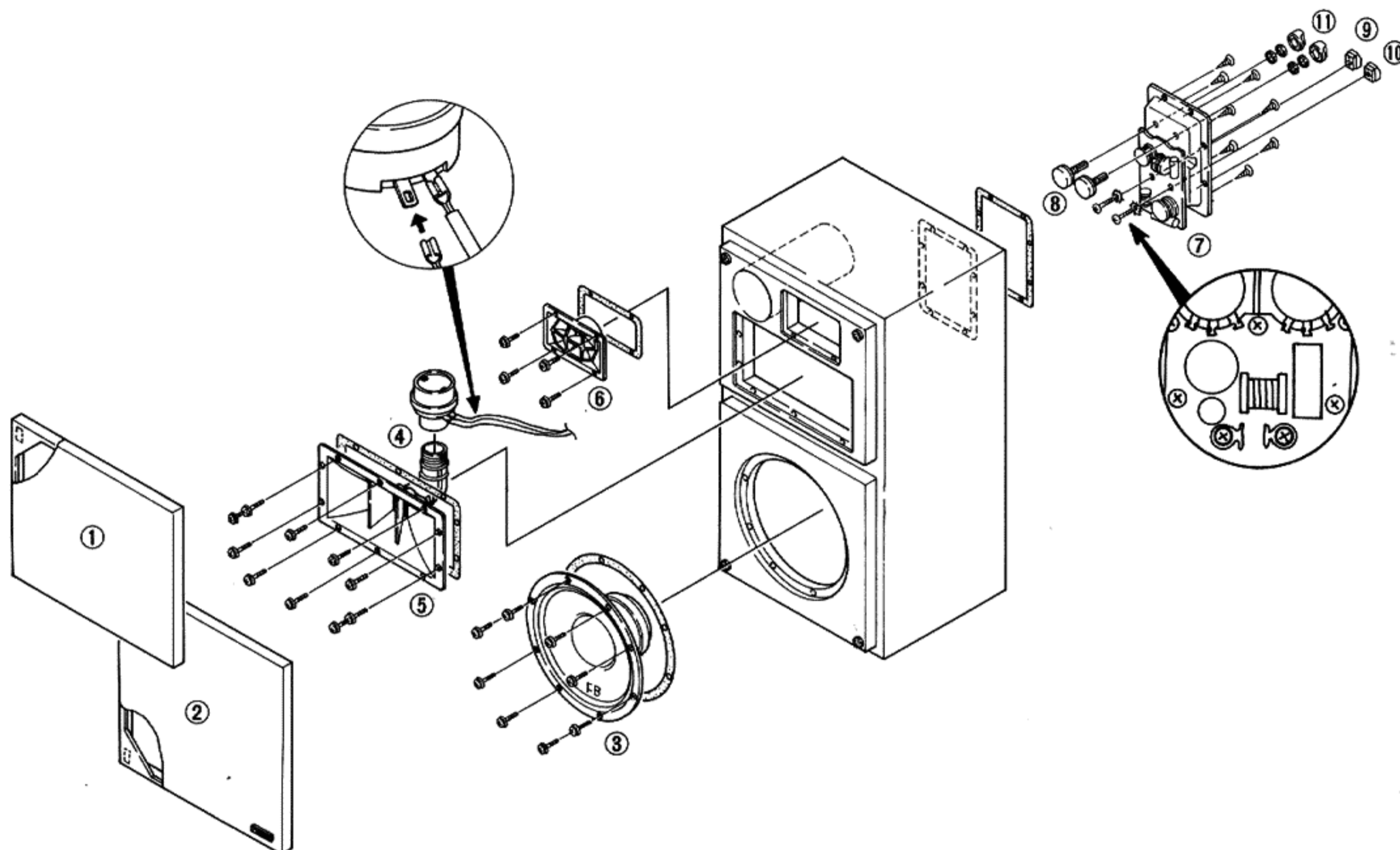
### 3.2 NETWORK CIRCUIT



### WIRING DIAGRAM



### 3.3 EXPLODED VIEW AND PARTS LIST



#### CS-R700 PARTS LIST

Key No.	Description	Part No.	
1	Saran panel (black)	SXB-056-0	
2	Saran panel (brown)	SXB-057-0	
3	Woofer	30-713F	
4	Driver unit	PD-40-1	
5	Phone unit	PH-40-1	
6	Tweeter	PT-406F-2	
7	Network	SWN-027-0	
8	Level control	C81-629-0	
9	Input terminal (blue)	SKC-012-A	
10	Input terminal (white)	SKC-012-0	
11	Knob (level control)	SAA-005-0	
	Lead wire	D51-603-A	
	Pad	E11-048-A	
	Operating guide	SRB-037-0	
	Packing case	SHK-076-A	
	Styrol	SHA-022-0	



