

Technical Manual

JBL JRX112M

SPECIFICATIONS



ACOUSTIC & ELECTRICAL SPECIFICATIONS:

- Nominal Impedance: 8 Ohms
- Power Capacity: 250W, Peak Power Capacity 1000W
- Frequency Range: 60 Hz – 16 kHz (-10 dB)
- Sensitivity: 99 dB, 1 Watt @ 1 Meter
- Crossover Frequency: 1.8 kHz

SYSTEM COMPONENTS:

- Cabinet: Enclosure (Not for Sale)
- Grille: 352920-001
- Low Frequency Transducer: M112-8, 304.8mm (12in.) Cone Transducer
- DC Resistance: 5.2 ohms
- High Frequency Transducer: 2412H-1, 25.4mm (1 in.) Exit Compression Driver

SYSTEM COMPONENTS: (CONT'D)

- DC Resistance: 4.3 ohms
- Crossover Network: 364246-001

AURAL SWEEP TEST SPECIFICATIONS:

- A. System Aural Sweep Test: 7.0V Input, 20 Hz to 20 kHz
- B. L.F. Aural Sweep Test: 7.0V Input, 20 Hz to 1.2 kHz
- C. H.F. Aural Sweep Test: 2.83V Input, 500 Hz to 20 kHz

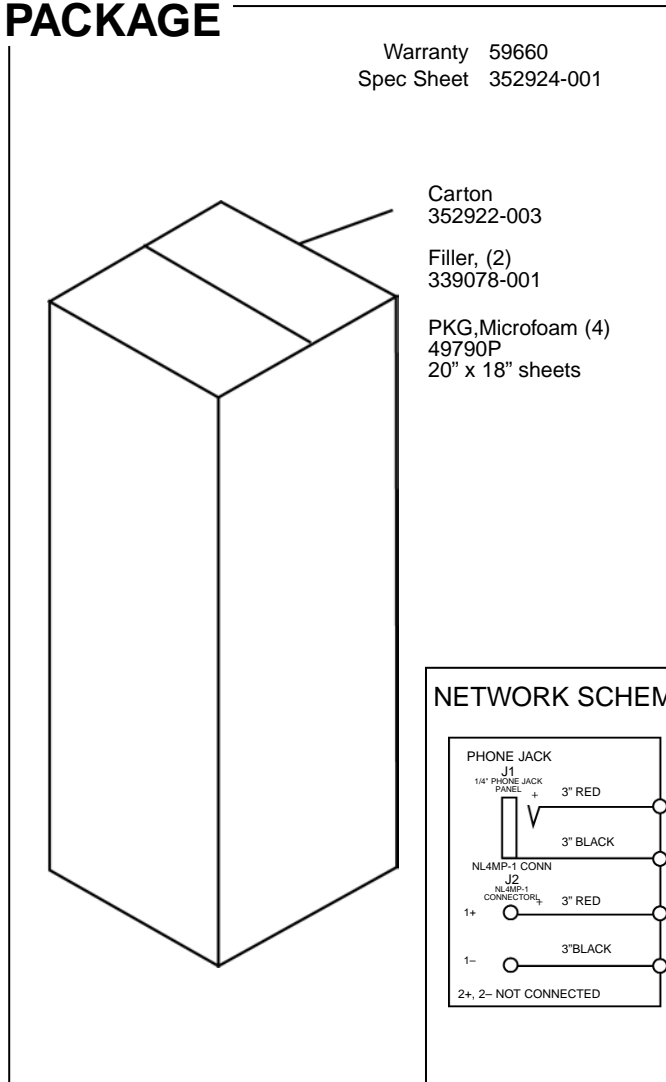
PHYSICAL SPECIFICATIONS:

- Enclosure Dimensions: 571.5 x 393.7 x 317.58 mm D (22.5 x 15.5 x 12.5 in.D.)
- Shipping Weight: 48.5 lb (22 kg.)

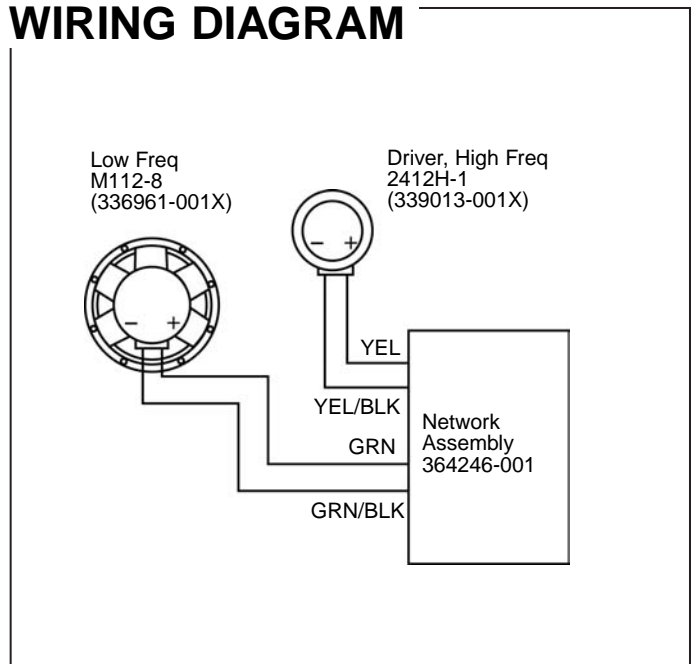
WARRANTY INFORMATION:

- Refer to Warranty Statement packed with each product.

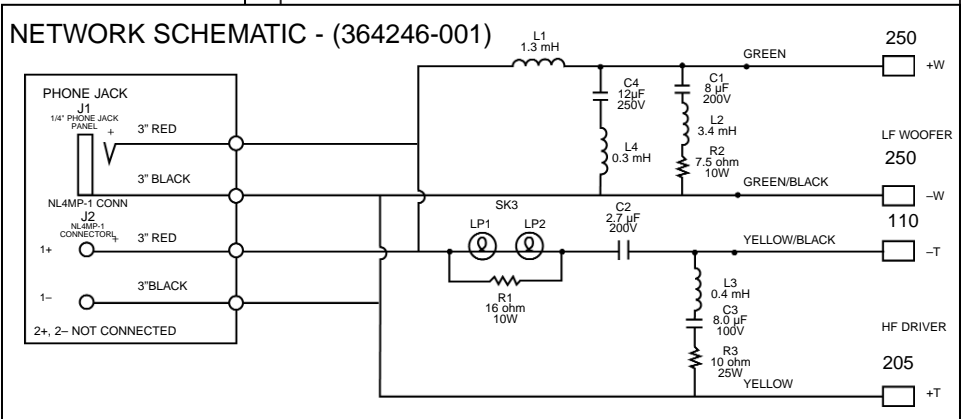
PACKAGE



WIRING DIAGRAM



NETWORK SCHEMATIC - (364246-001)



JBL JRX112M REV N

JBL JRX112M

COMPONENT EXPLODED VIEW

