

# Technical Manual

# HT4V



### ACOUSTIC & ELECTRICAL SPECIFICATIONS:

- Nominal Impedance: 8Ω
- Max Amp Power: 150 watts\*
- Frequency Response: 80 Hz - 18kHz (±2dB)  
55 Hz - 20kHz (-6dB)
- Sensitivity: 88dB@2.83 volts/1 meter
- Crossover Frequency: 2500Hz

### SYSTEM COMPONENTS:

- Cabinet: HT4V (Not for Sale)
- Grille: 333244-001 (Set of Two)
- High-Frequency Transducer: 1" (25mm) Titanium Dome, Shielded, (336347-001)  
DC Resistance: 3.6 ohms ±10%
- Low-Frequency Transducer: (2) 5.25" (133mm) Cone Transducer, Shielded (332241-001)  
DC Resistance: 5.9 ohms ±10%
- Crossover Network: 336344-001

### AURAL SWEEP TEST SPECIFICATIONS:

- System Aural Sweep Test: 6.0V Input 50 Hz to 20 kHz
- L.F. Aural Sweep Test: 5.0V Input 50 Hz to 3 kHz
- H.F. Aural Sweep Test: 2.83V Input 2 kHz to 20 kHz

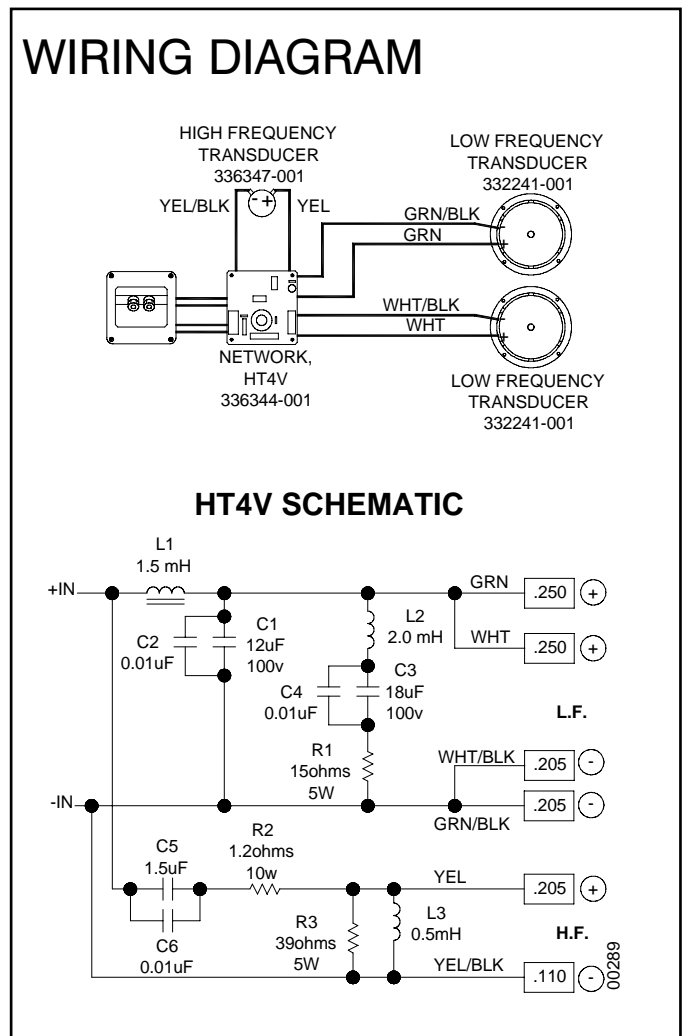
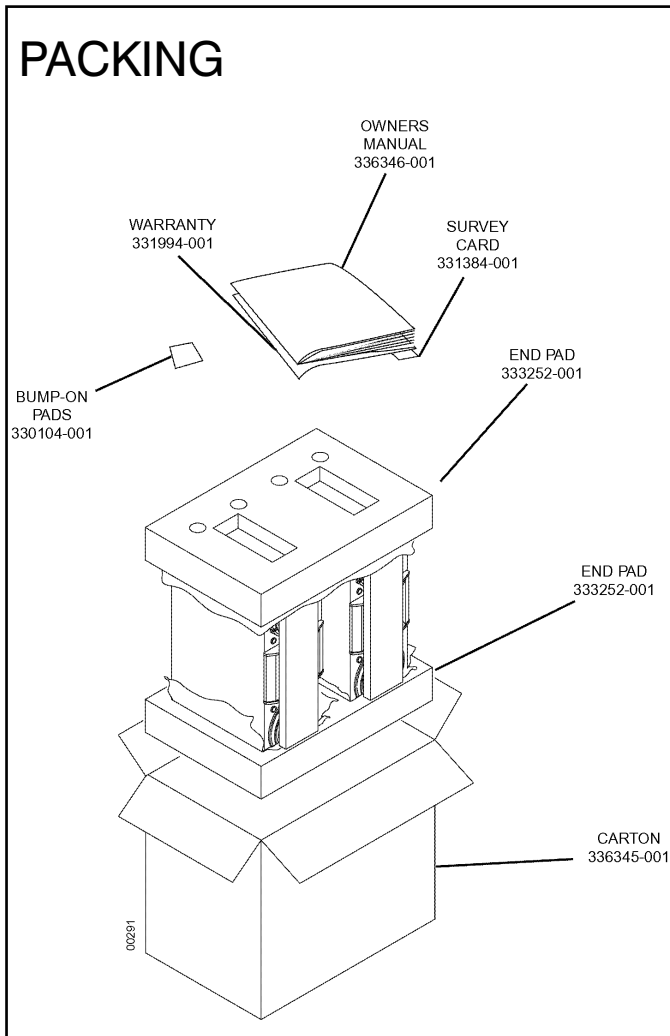
### PHYSICAL SPECIFICATIONS:

- Enclosure dimensions: 20" x 6-13/16" x 11-7/8" (508mm x 173mm x 302mm)
- Weight: 50 lbs (22.8 kg) Sold in Pairs

### WARRANTY:

- Refer to Warranty Statement packed with each product.

\* The maximum recommended amplifier power rating will ensure proper system headroom to allow for occasional peaks. We do not recommend sustained operation at these maximum power levels.

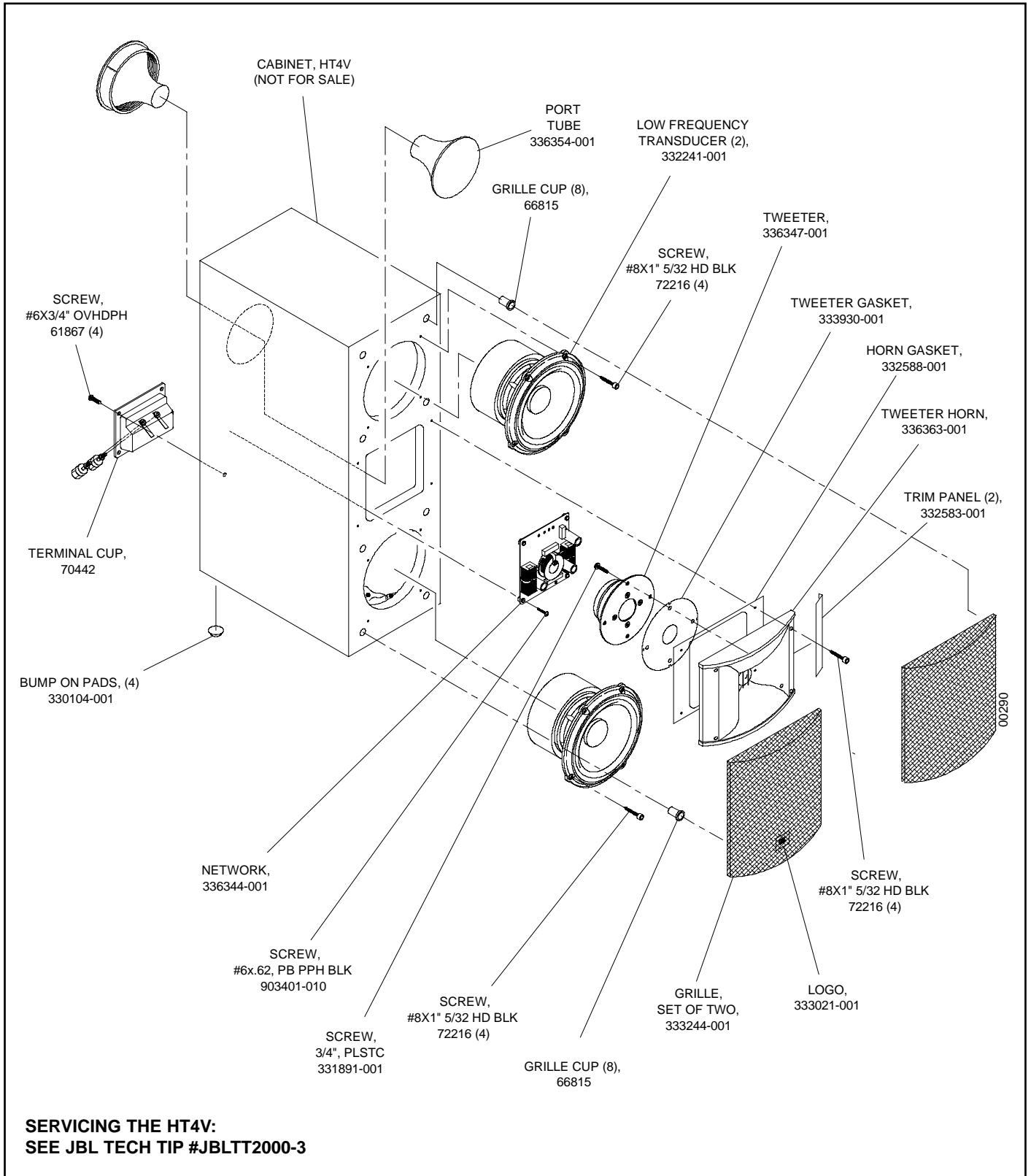


# Technical Manual

# HT4V



## EXPLODED VIEW



HT4V