



HLS 615

ACOUSTIC & ELECTRICAL SPECIFICATIONS:

- Nominal Impedance 8 ohms
- Max Amp Power 150 watts
- Frequency Response 45Hz - 20kHz (+3dB)
- Sensitivity 88 dB (1 watt @ 1 meter)
- Crossover Frequency 2700 Hz

SYSTEM COMPONENTS:

- Cabinet HLS 615 (Not For Sale)
- Grille 332687-001
- Low Frequency Transducer* 6 1/2" Polypropylene, Shielded (332650-001)
- DC Resistance 4.4 ohms ±10%
- High Frequency Transducer* 10mm Polycarbonate Dome (TW010B17/101829B)

SYSTEM COMPONENTS: (cont.)

- DC Resistance 5.5 ohms ±10%
- Crossover Network 332691-001

AURAL SWEEP TEST SPECIFICATIONS:

- System Aural Sweep Test 6.0V Input 40 Hz to 20 kHz
- L.F. Aural Sweep Test 6.0V Input 30 Hz to 3 kHz
- H.F. Aural Sweep Test 2.83V Input 2 kHz to 20 kHz

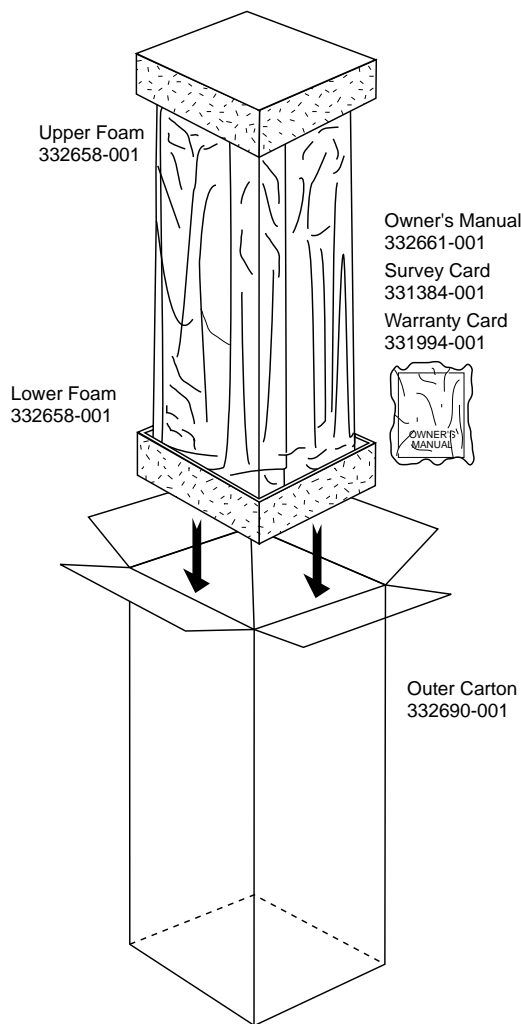
PHYSICAL SPECIFICATIONS:

- Enclosure dimensions 31 3/4 x 8 5/16 x 9 7/16" (H x W x D) 806 x 211 x 240mm
- Weight 28lbs. (12.7kg). Each.

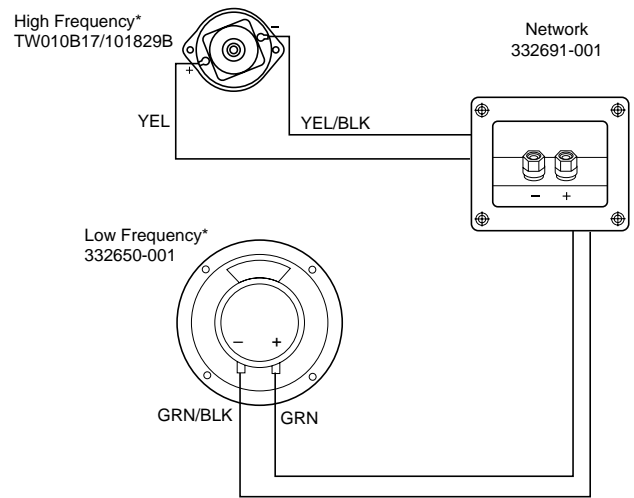
WARRANTY:

- Refer to Warranty Statement packed with each product.

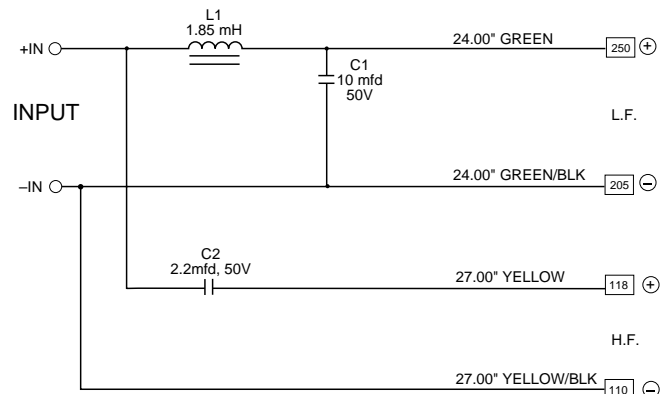
PACKAGING



WIRING DIAGRAM



HLS 615 SCHEMATIC

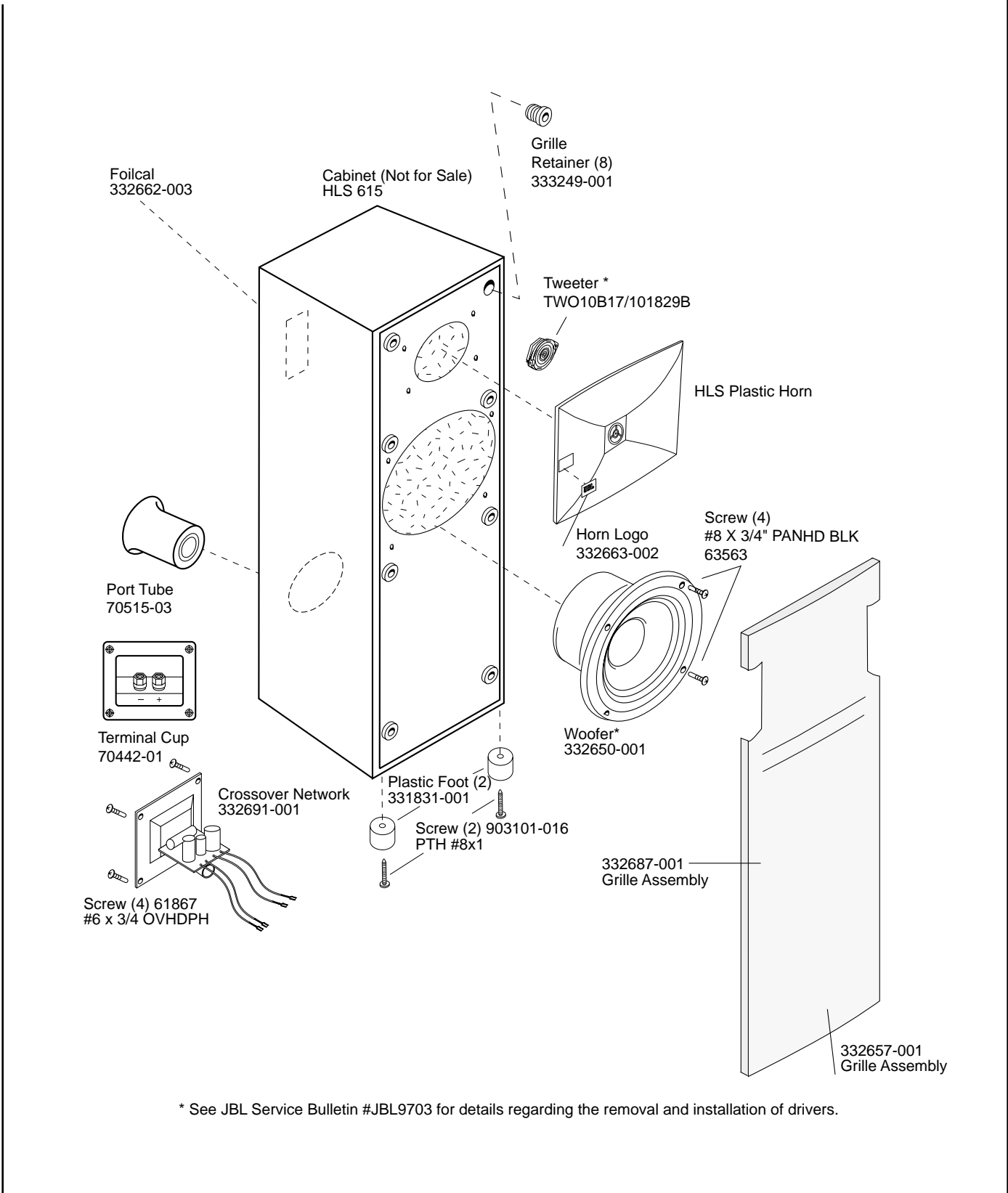


HLS 615

HLS 615



COMPONENT EXPLODED VIEW



* See JBL Service Bulletin #JBL9703 for details regarding the removal and installation of drivers.

HLS 615