

REVISIONS C XOVER1

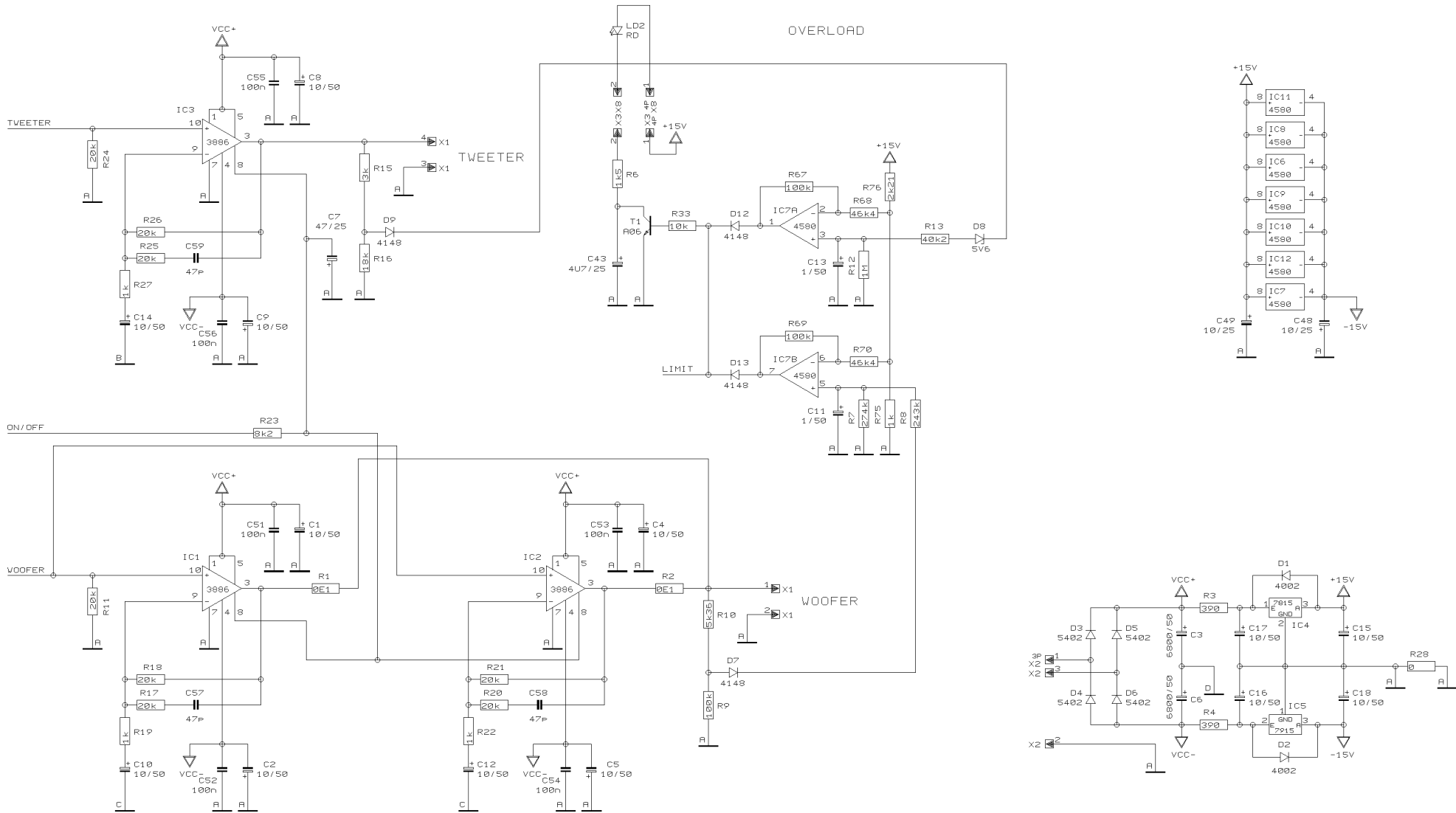
DRAWN BK

CHECKED

DATE 19.02. 1  
8:22



PROJECT  
B2031CA  
ULTIMATE  
INPUT & FILTER  
SHEET 1 OF 2 SHEETS TOTAL



REVISIONS

B

DRAWN

BK

CHECKED

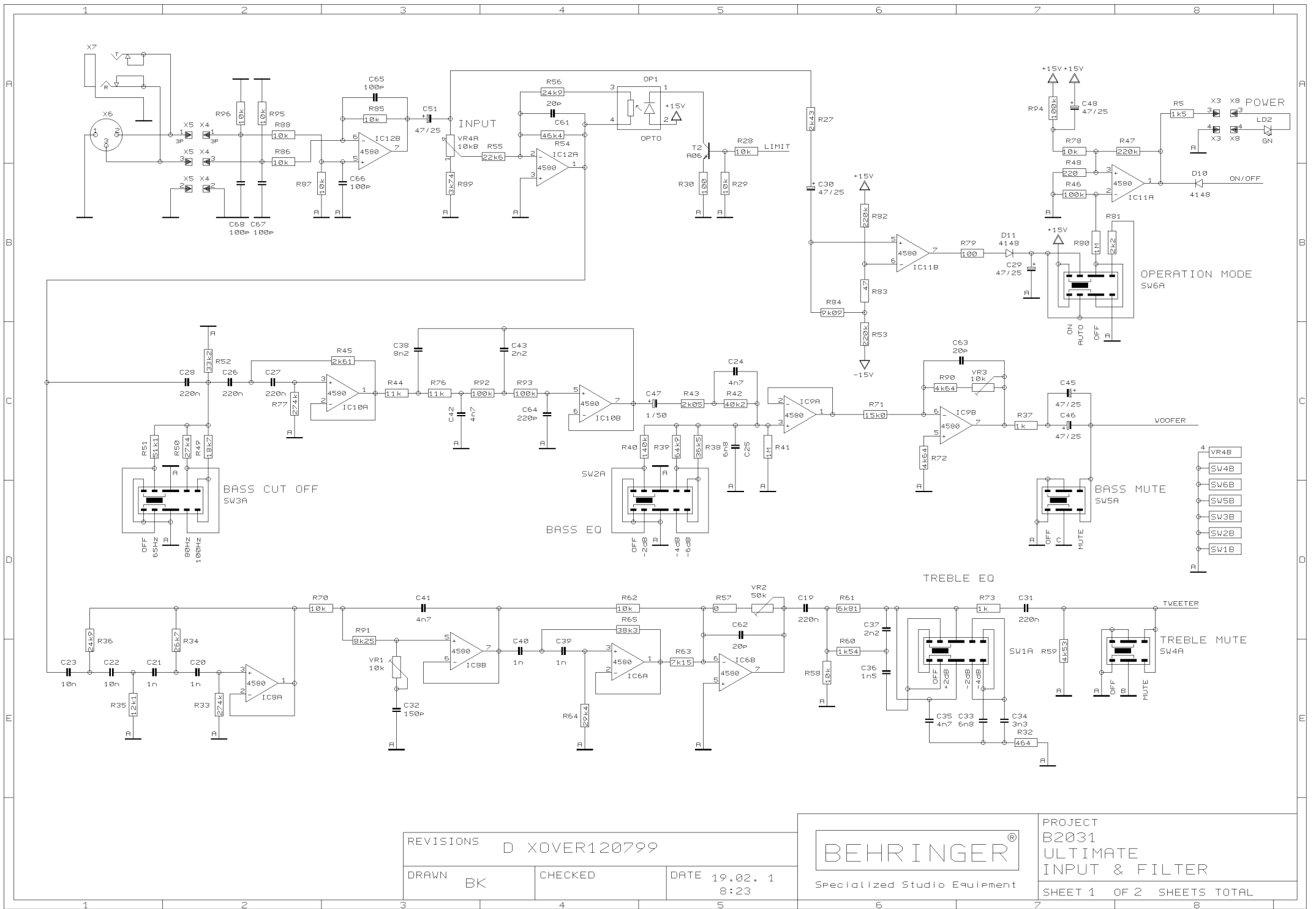
DATE 19.02. 1  
8:22

BEHRINGER®

Specialized Studio Equipment

PROJECT  
B2031CA  
ULTIMATE  
PSU & AMPS

SHEET 2 OF 2 SHEETS TOTAL



REVISIONS D XOVER120799

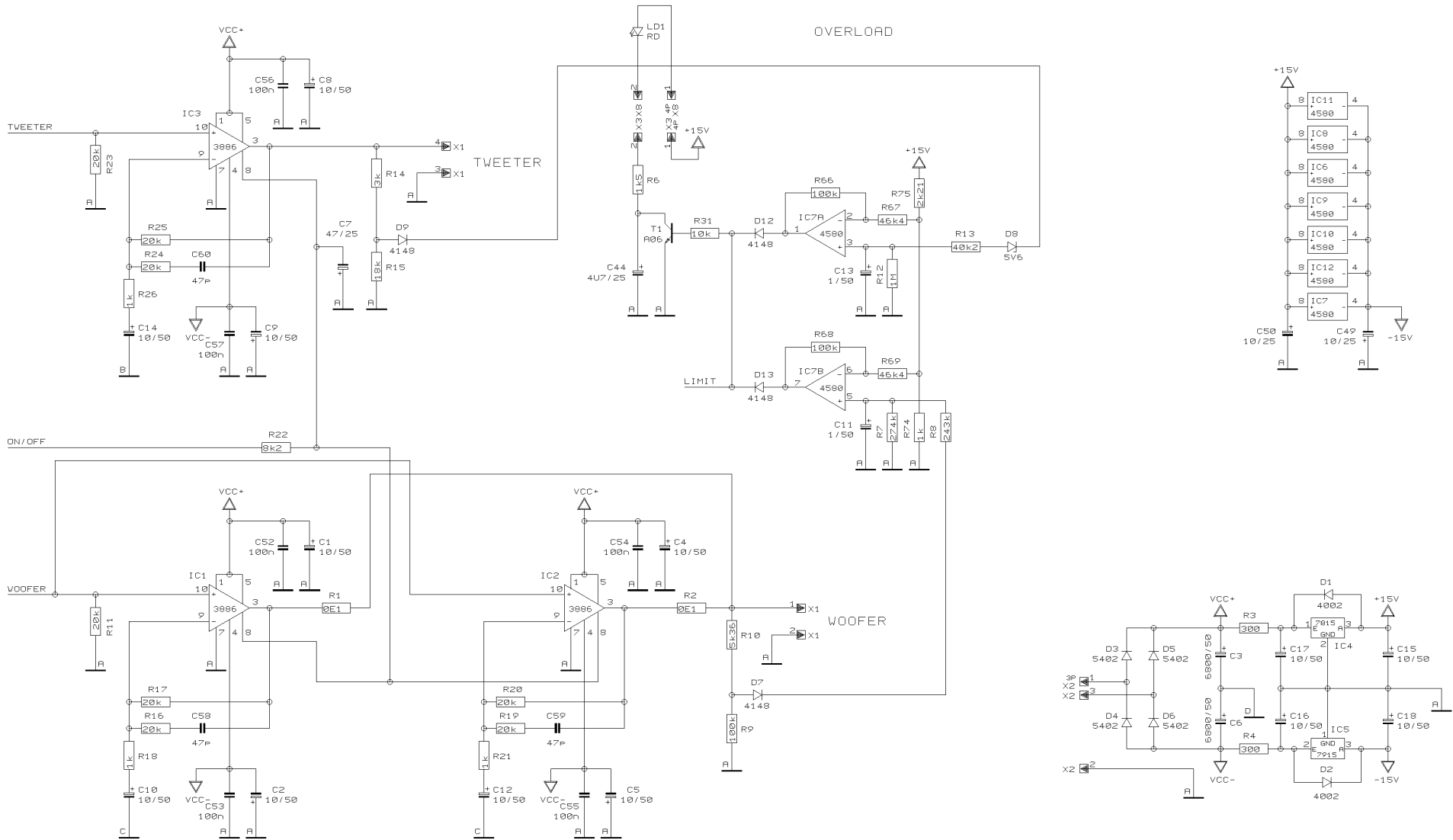
DRAWN BK

CHECKED

DATE 19.02. 1  
8:23



PROJECT  
B2031  
ULTIMATE  
INPUT & FILTER  
SHEET 1 OF 2 SHEETS TOTAL



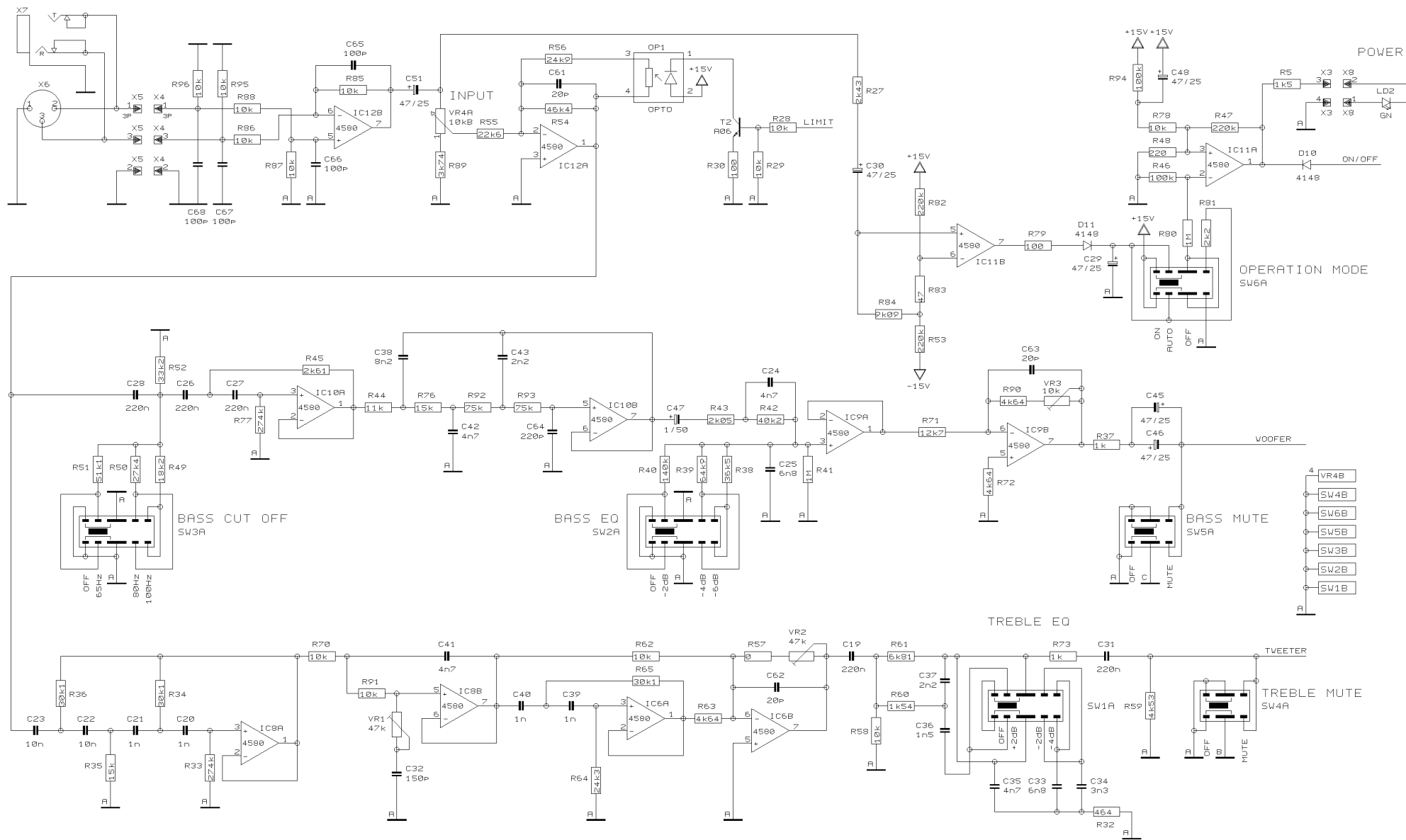
REVISIONS

REVISIONS	D
DRAWN	BK
CHECKED	

DATE 19.02. 1  
8:23



PROJECT  
B2031  
ULTIMATE  
PSU & AMPS  
SHEET 2 OF 2 SHEETS TOTAL



REVISIONS E (201099)

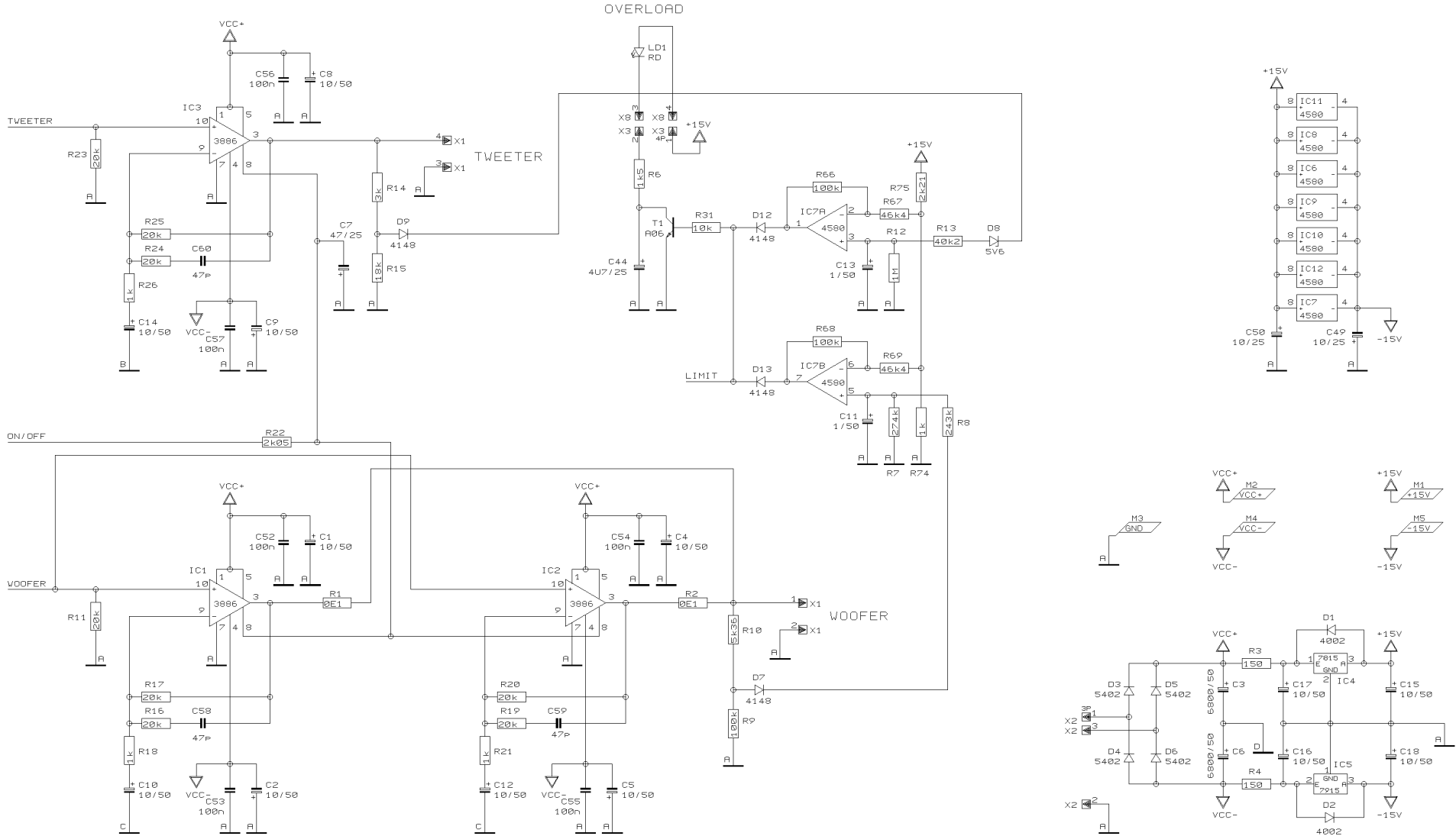
DRAWN BK

CHECKED

DATE 19.02. 1  
8:24



PROJECT B2031  
TRUTH INPUT & FILTER  
SHEET 1 OF 2 SHEETS TOTAL



REVISIONS

E

DRAWN BK

CHECKED

DATE 19.02. 1  
8:24

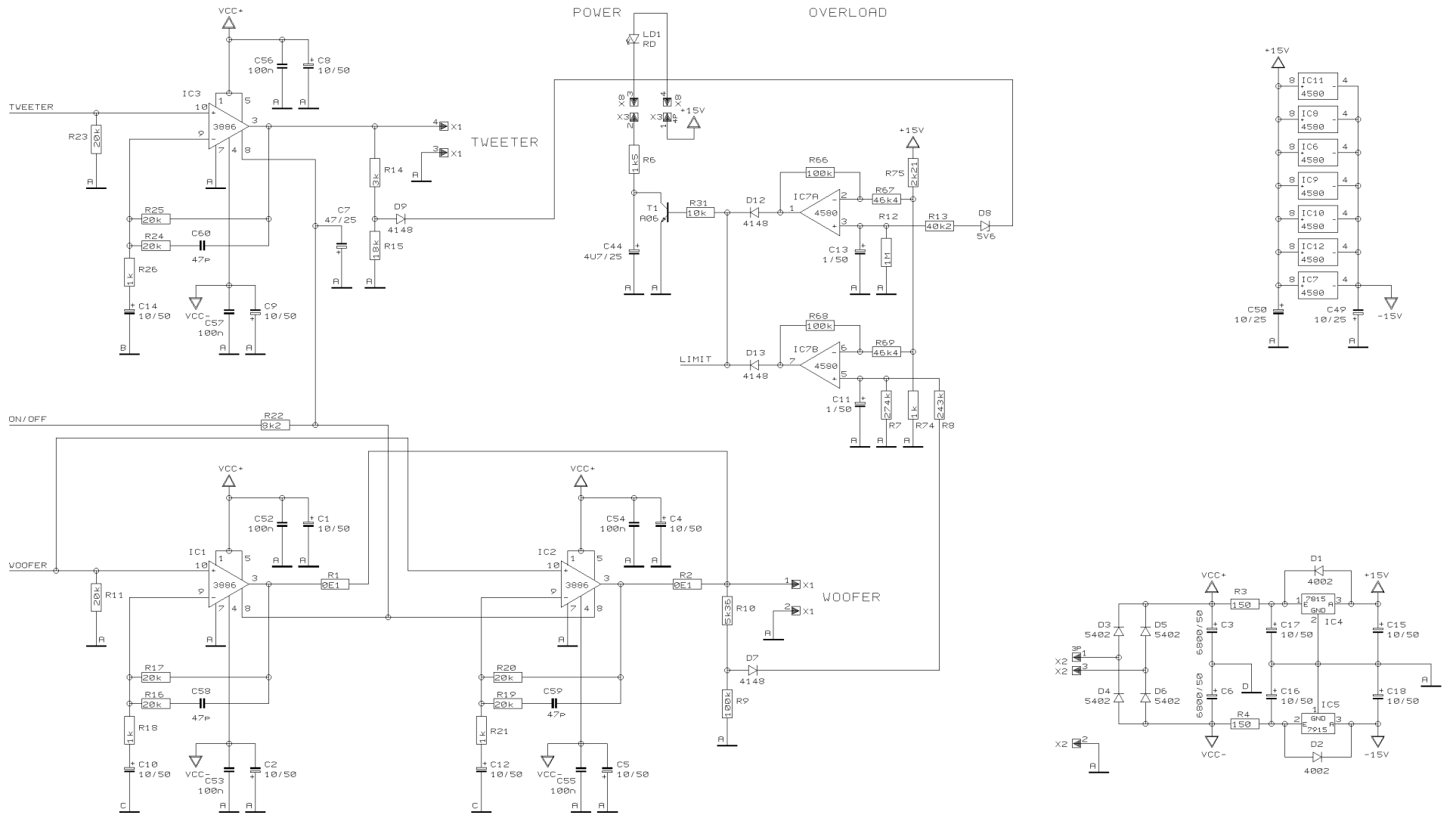
**BEHRINGER**<sup>®</sup>

Specialized Studio Equipment

PROJECT  
B2031  
TRUTH  
PSU & AMPS

SHEET 2 OF 2 SHEETS TOTAL





REVISIONS  
D

DRAWN  
BK

CHECKED

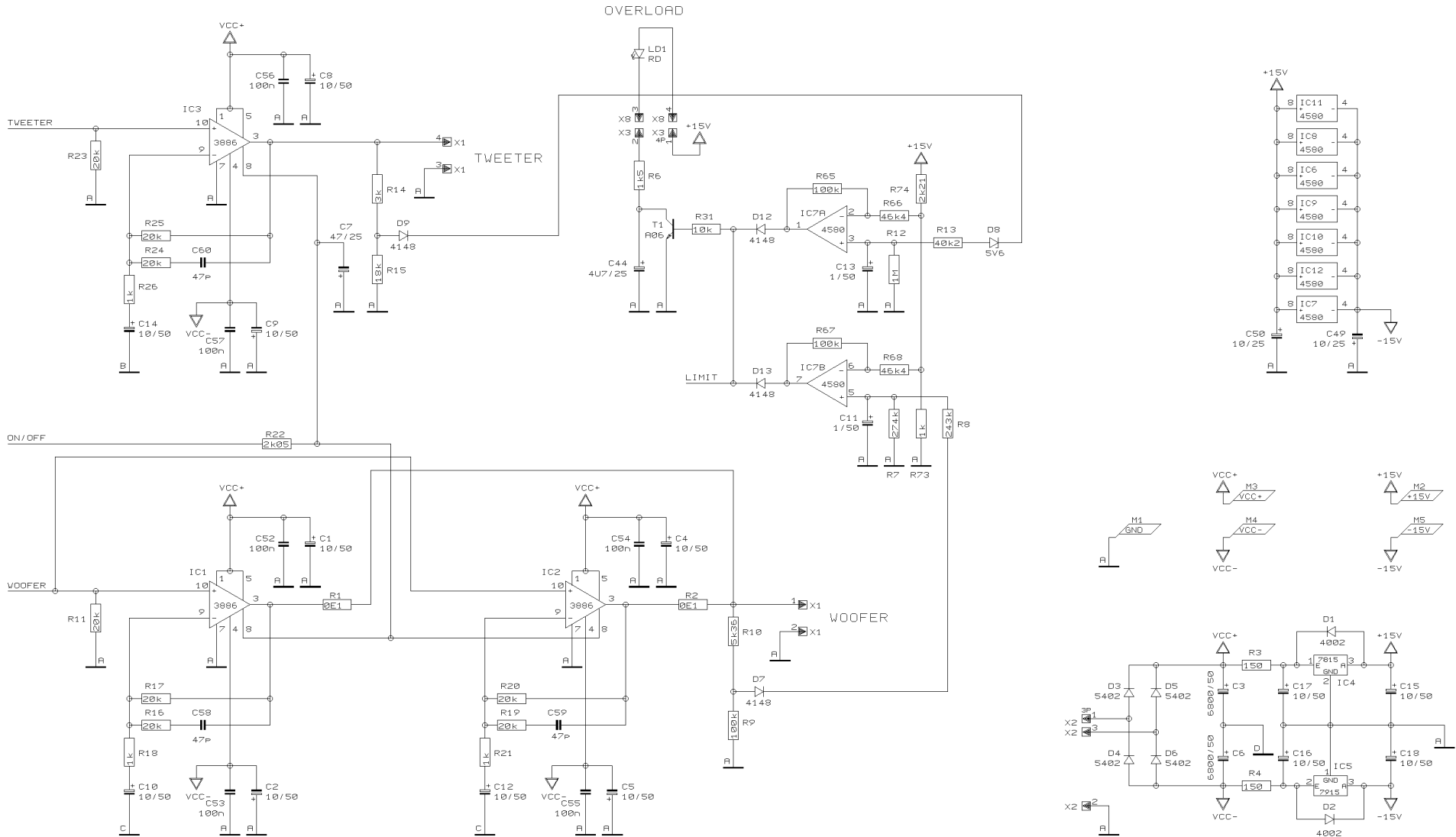
DATE 19.02. 1  
8:25



PROJECT  
B2031  
TRUTH  
PSU & AMPS  
SHEET 2 OF 2 SHEETS TOTAL





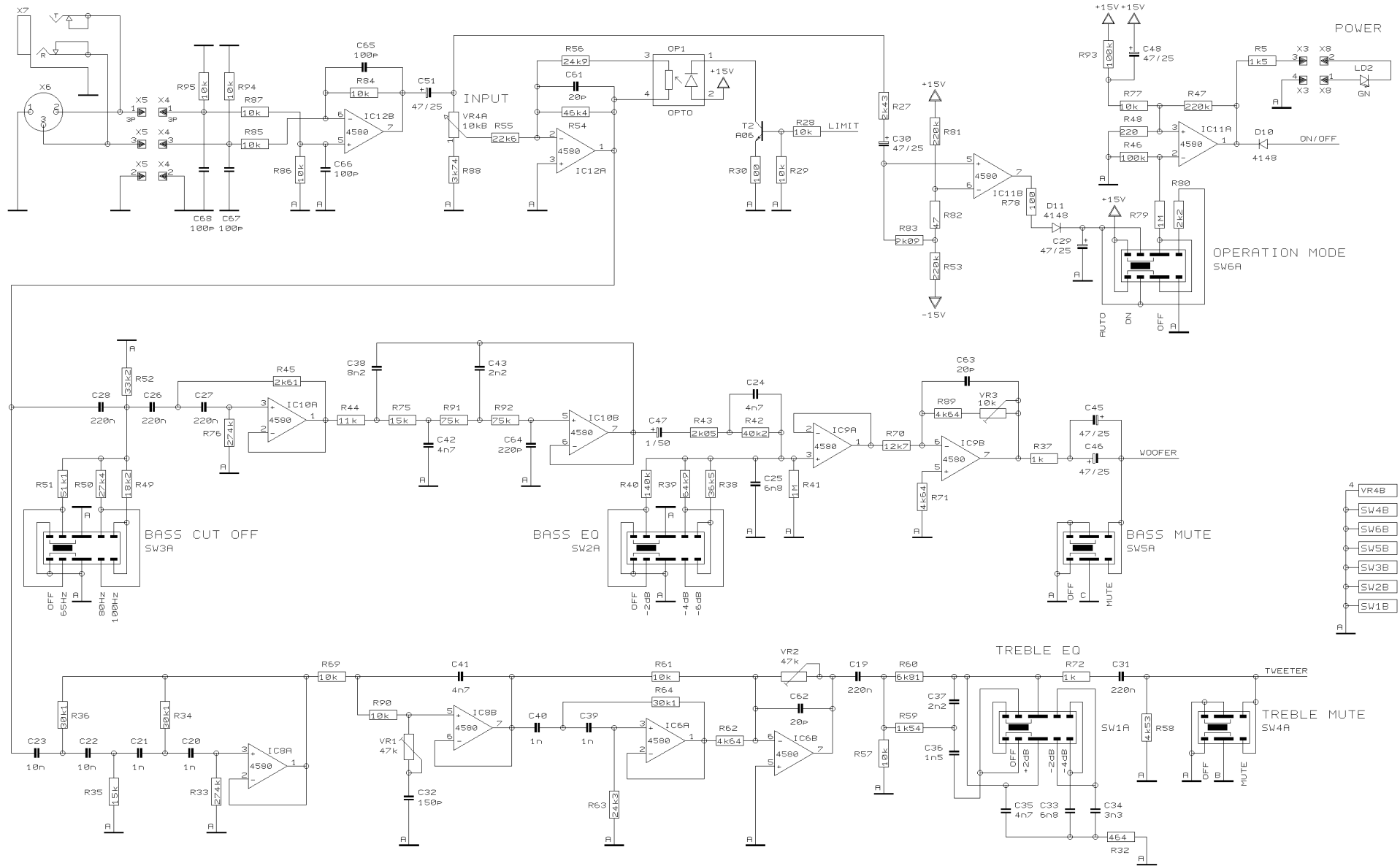


REVISIONS	F		
DRAWN	BK	CHECKED	DATE 19.02. 18:26



PROJECT  
B2031  
TRUTH  
PSU & AMPS

SHEET 2 OF 2 SHEETS TOTAL



REVISIONS G (261200)

DRAWN BK

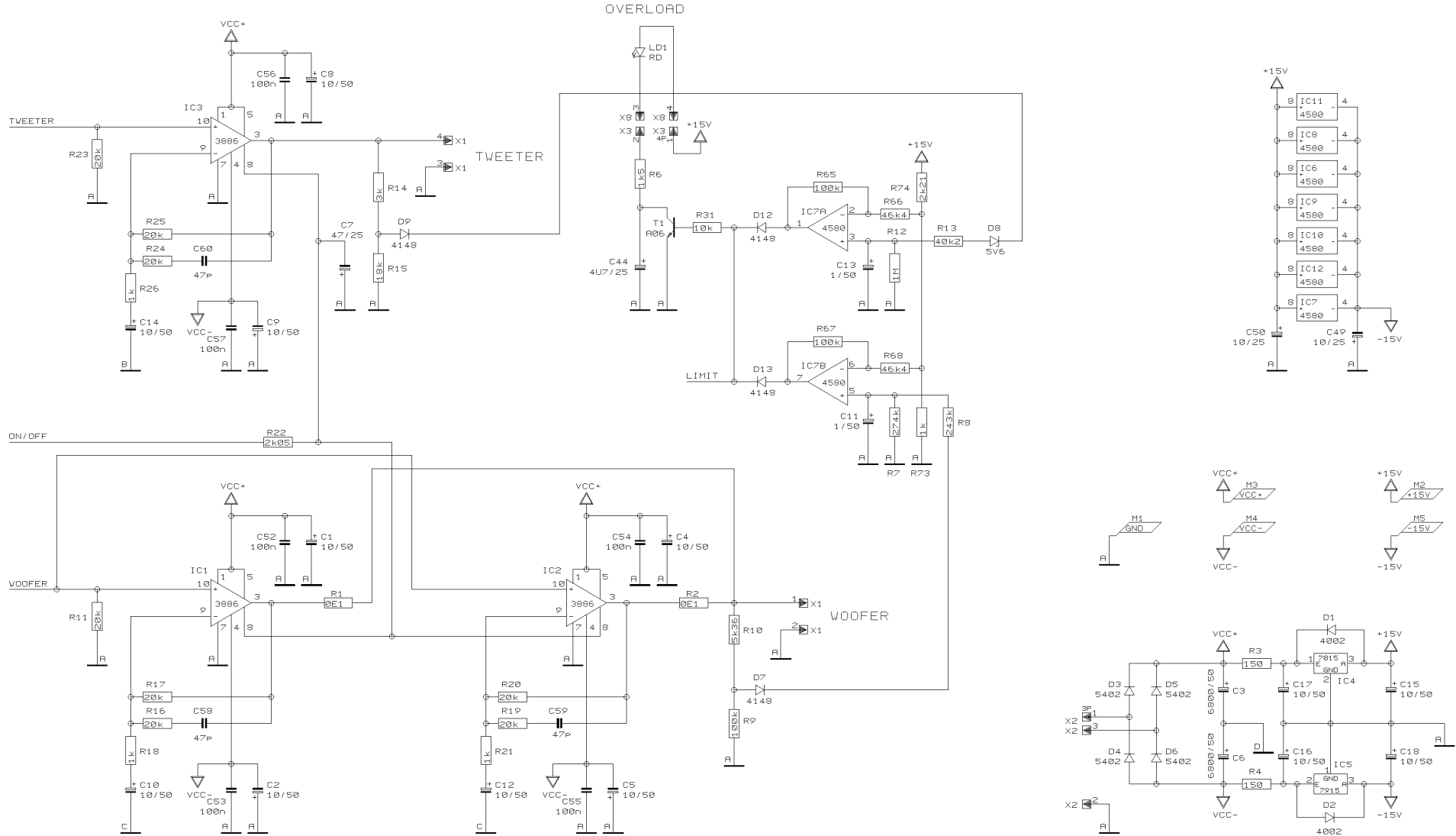
CHECKED

DATE 19.02. 1  
8:26



PROJECT B2031  
TRUTH  
INPUT & FILTER

SHEET 1 OF 2 SHEETS TOTAL



REVISIONS  
G

DRAWN  
BK

CHECKED

DATE 19.02. 1  
8:26



PROJECT  
B2031  
TRUTH  
PSU & AMPS  
SHEET 2 OF 2 SHEETS TOTAL