



Vifa-Speak A/s  
DK-6920 Videbæk  
Denmark

Fabrikation af kvalitetshøjtalere  
Production of Quality Loudspeakers

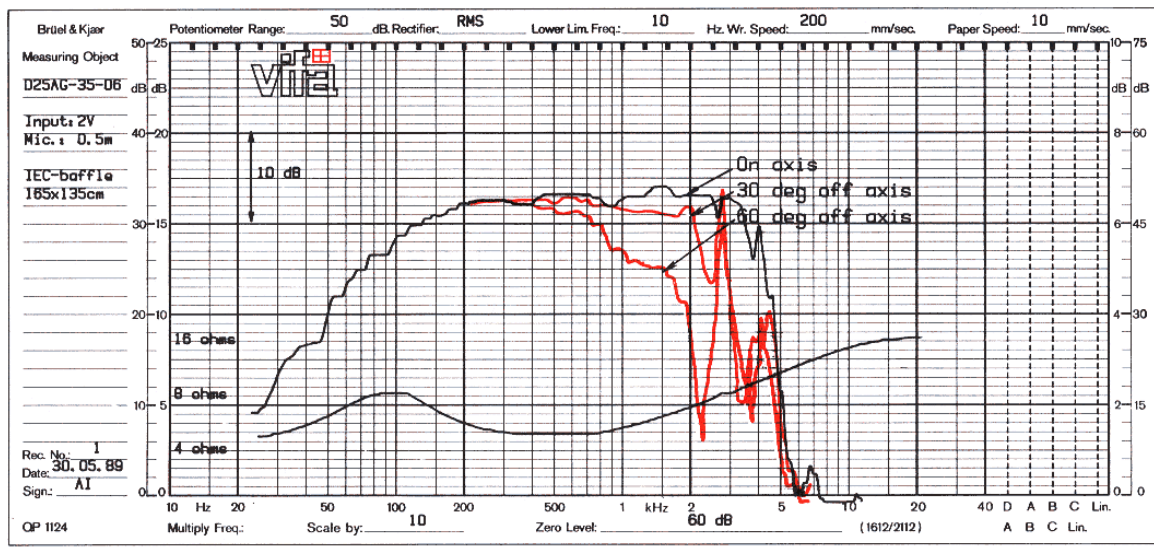
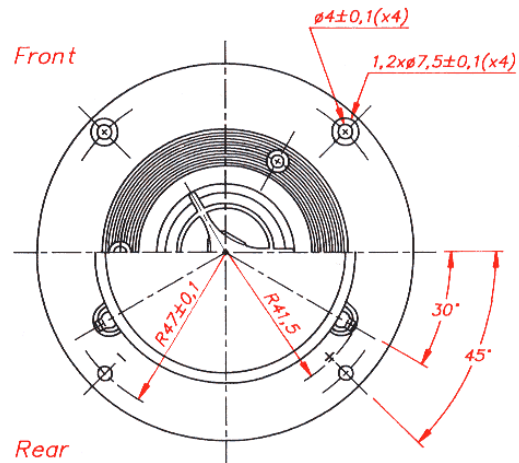
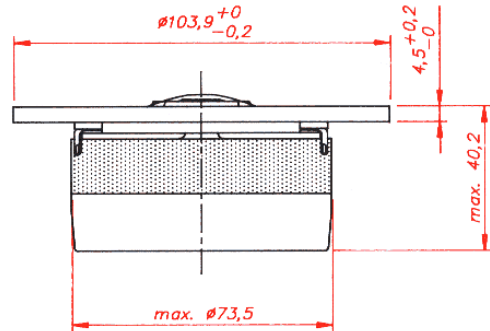
# 1" DOME TWEETER

# D25AG-35-06

### SPECIAL FEATURES:

- ALUMINIUM ALLOY DIAPHRAGM
- "BUTTERFLY" VC ASSEMBLY
- MAGNETIC FLUID
- DOUBLE CHAMBER
- FLEXIBLE VOICE COIL BRAIDS
- PISTON MOVEMENT TO ABOVE 20KHZ
- HIGH PRECISION PHASE SHIELD

NOMINAL IMPEDANCE	6 Ω
NOMINAL POWER (IEC 268-5)	100 W
FREQUENCY RANGE	1,5-35 kHz
SENSITIVITY (1W, 1m)	89 dB
EFFECTIVE DIAPHRAGM AREA	7,1 cm <sup>2</sup>
VOICE COIL RESISTANCE	4,6 Ω
OPERATING POWER	5 W
VOICE COIL DIAMETER	25 mm
VOICE COIL HEIGHT	1,6 mm
AIR GAP HEIGHT	2 mm
FREE AIR RESONANCE	850 Hz
MOVING MASS (incl. air)	0,3 g
FORCE FACTOR, B x l	3,3 Txm
MAGNET WEIGHT	(8,5 oz) 240 g



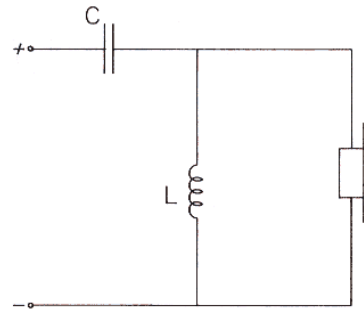
# D25AG-35-06

# Applications

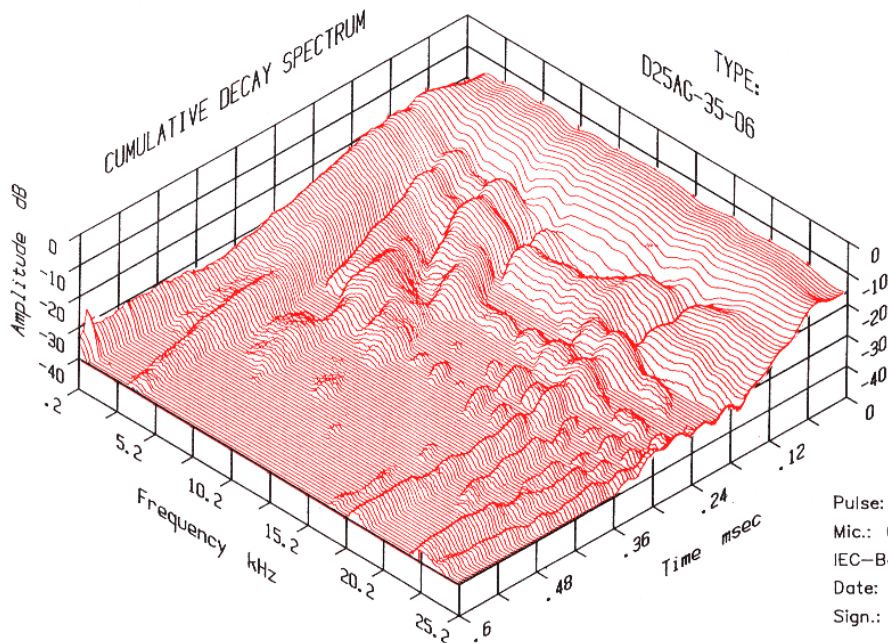
### Recommended x-over:

Nom. power [W]	Fc [Hz]	L [mH]	C [ $\mu$ F]
100	3000	0,22	12
* 50	2000	none	16

\* First order x-over



It is recommended to use at least 2'nd order (12 dB/oct) x-over for D25AG-35-06. A 6 dB/oct x-over is described with limited power handling. The impedance load provided by the x-over should be as low as possible at the tweeter res. frequency. This will ensure maximum electrical damping, and consequently minimum excursion. This is essential for high power input.



Pulse: 10V/15 $\mu$ S  
Mic.: 0,15 m  
IEC-Baffle  
Date: 07.05.89  
Sign.: AI

Stationsvej 5 • Postbox 39 • DK-6920 Videbæk • Tlf. 97 17 17 22 • Int. tel.: +45 97 17 17 22 • Telefax: +45 97 17 16 96  
Postgiro 9 03 79 50 • Akts. reg.nr.: 209648 • Bank: A/S Ringkjøbing Bank, Videbæk afd. • SWIFT address RIBA DK 22, Telex: 62442