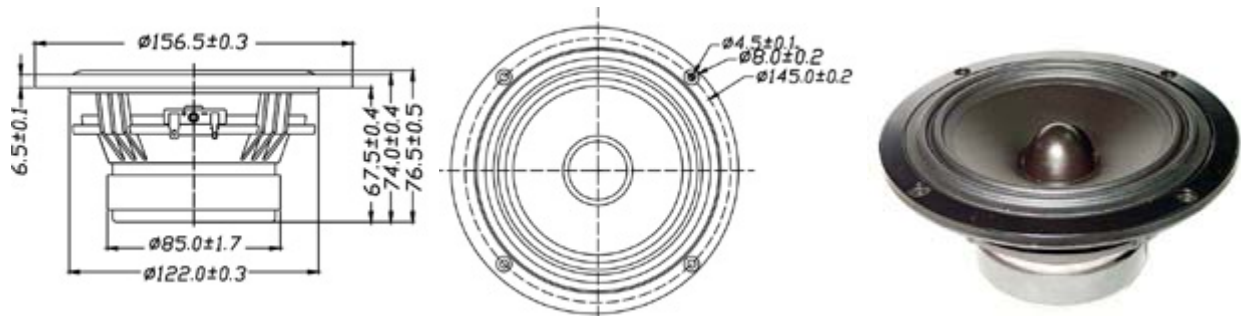


PM<sub>SERIES</sub>

W5-704D



5" PPM WOOFER

- TWIN ROLL RUBBER SURROUND
- EXTREMELY LINEAR EXCURSION DESIGN
- PPM CONE WITH TWIN ROLL SHAPE RUBBER SURROUND
- DIE CAST BASKET, PPM PHASE PLUG
- INTENDED FOR BASS REFLEX ENCLOSURES
- VENTED POLE PIECE
- DURABLE CONEX SPIDER

DIAPHRAGM MTL	PPM
SURROUND MTL	Twin Roll Rubber
NOMINAL IMPEDANCE	8 Ω
DCR IMPEDANCE	6 Ω
SENSITIVITY 1W/1m	88 dB
FREQUENCY RESPONSE	55-13K Hz
FREE AIR RESONANCE	55 Hz
VOICE COIL DIAMETER	25 mm
AIR GAP HEIGHT	6 mm
RATED POWER INPUT	25 W
MAXIMUM POWER INPUT	50 W
FORCE FACTOR, BL	6.1 TM
MAGNET WEIGHT (14oz)	397 g
MOVING MASS	7.35 g
FERRO FLUID ENHANCED	No
SUSPENSION COMPL.	1006MN <sup>-1</sup>
EFFEC.PISTON AREA	0.0094m <sup>2</sup>
Levc	0.4mH
Zo	31.33ohm
X-max	3 mm
Vas	12.6 Liter.
Qts	0.37
Qms	1.93
Qes	0.46



**TB** SPEAKERS

VOICE: 886.2.26570282 FAX: 886.2.26580166  
E-MAIL: info@tb-speaker.com

---

**CLOSE**