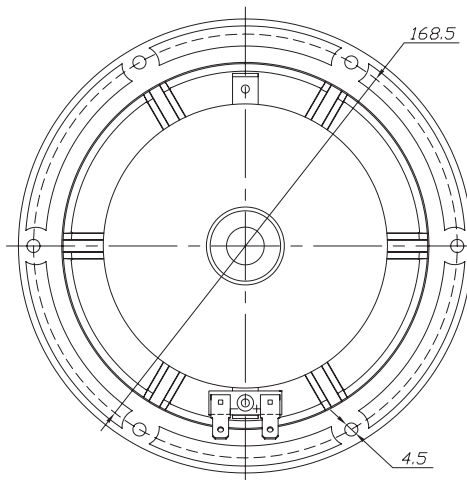
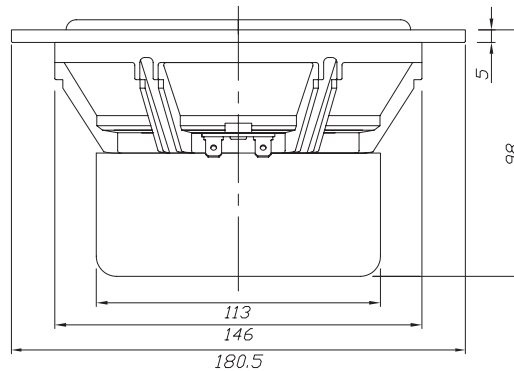


**Features**

- Lightweight black anodized aluminum cone
- Fully shielded magnetic structure
- Attractive 6-hole cast frame
- Advanced low distortion motor design
- Solid aluminum phase plug
- Rubber surround

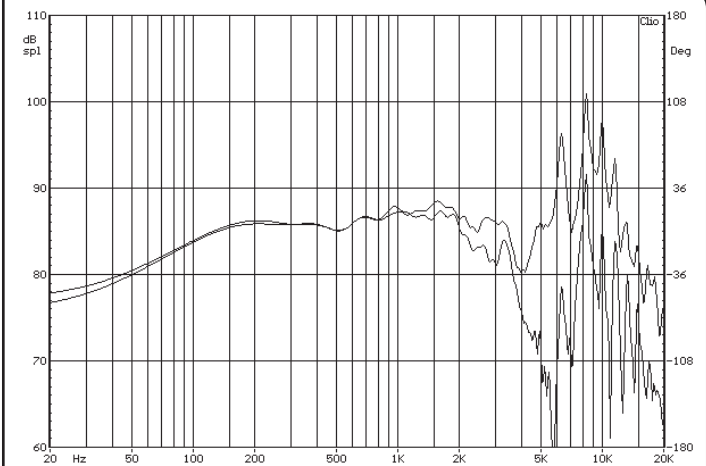
**Parameters**

Impedance ( $\Omega$ )	8
Re ( $\Omega$ )	6.4
Le (mH) @ 1 kHz	0.86
Fs (Hz)	43.7
Qms	1.91
Qes	0.58
Qts	0.45
Mms (g)	13.48
Cms (mm/N)	0.98
Sd (cm <sup>2</sup> )	124.7
Vd (liters)	74.8
BL (Tm)	6.42
VAS (liters)	21.5
XMAX (mm)	6
VC Diameter (mm)	38
SPL (dB@1W/1m)	87.6
RMS Power Handling (w)	60
Usable Frequency Range (Hz)	40 - 2200



Note: All dimensions in mm.

**Frequency Response**



Note: Due to testing limitations, response below 200 Hz is not an actual representation.

**Impedance/Phase**

